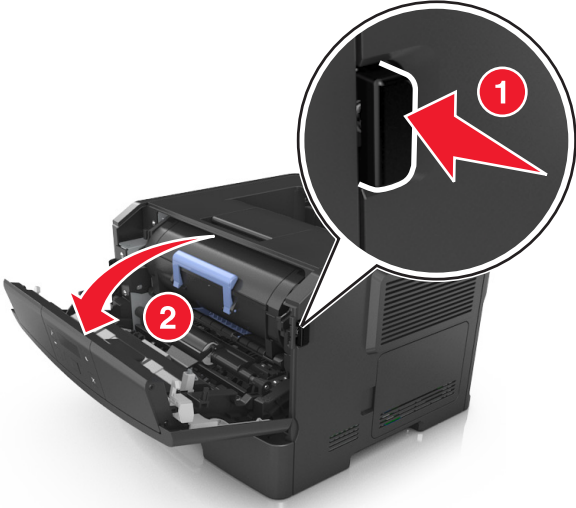


Replacing the imaging unit

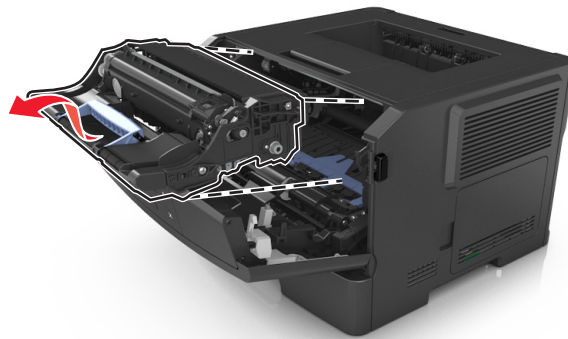
1 Press the button on the right side of the printer, and then open the front door.



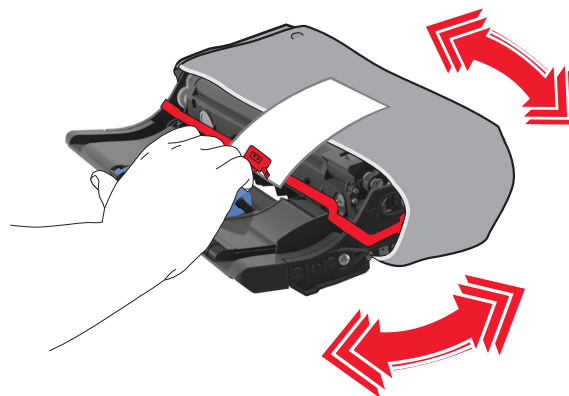
-
- 2 Pull the toner cartridge out using the handle.



-
-
- 3 Lift the blue handle, and then pull the imaging unit out of the printer.



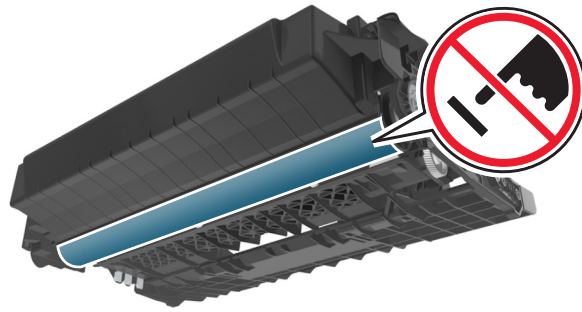
-
-
-
- 4 Unpack the new imaging unit, and then shake it.



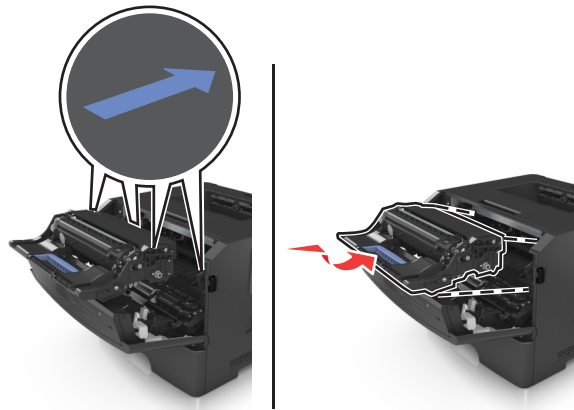
-
-
-
-
- 5 Remove all packing materials from the imaging unit.

Warning—Potential Damage: Do not expose the imaging unit to direct light for more than 10 minutes. Extended exposure to light may cause print quality problems.

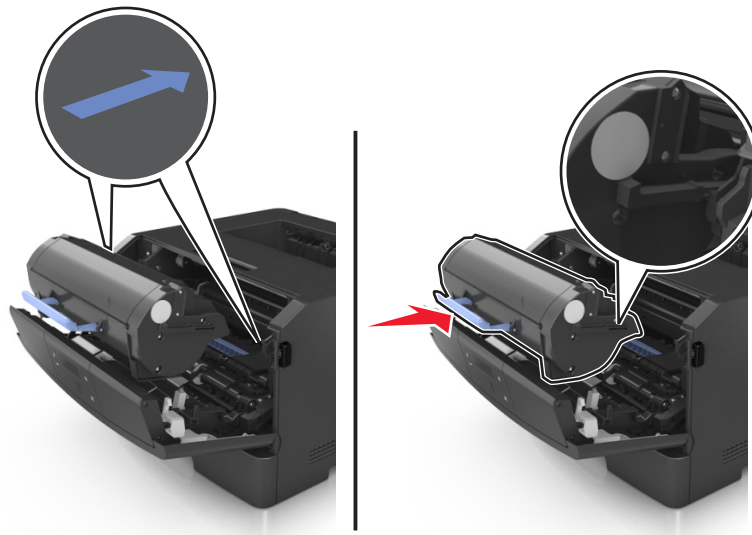
Warning—Potential Damage: Do not touch the photoconductor drum. Doing so may affect the print quality of future print jobs.



6 Insert the imaging unit into the printer by aligning the arrows on the side rails of the imaging unit with the arrows on the side rails inside the printer.



7 Insert the toner cartridge into the printer by aligning the side rails of the cartridge with the arrows on the side rails inside the printer.



8 Close the front door.